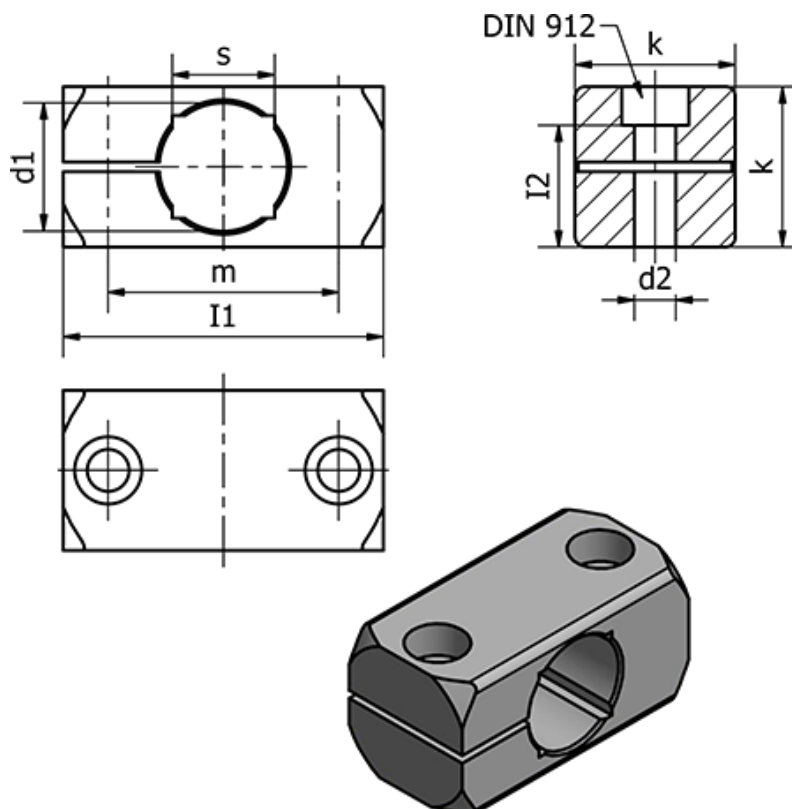


Article number: 20477B8ELS

Description: E+G Clamp mounting - GN 477-B8-ELS

Measures



Clamping kit for d2 = GN 511-M4-20

Clamping kit for d3 = -

d1 = 8

d2 = M4

l1 = 31.5

l2 = 10

k = 14

m = 22

s =

Weight (g) = 11